

SG 5030 A X-RAY INSPECTION SYSTEM



Independent intellectual property rights software inside to ensure smooth operation
Double lead curtain avoid x ray leakage to ensure people safety
Different Access Modes in software, can open unlimited sub-account with hierarchial permissions
Embedded with Wireless LAN, can do remote technical support at any time
Bi-directional operation allows the system to be incorporated, realize the two-way screening

X-RAY INSPECTION SYSTEM APPLICATIONS

Smartguard SG-5030 A is designed to detect prohibited items and threats by screening bags and package at security checkpoints. Ideal for using at public area, such as hotel, shopping malls, factories, office building, bank, court, church and more. The compact 5030 A is a great choice for small or limited spaces, which fits well into any entrance environment.

It is equipped with a 80 kV generator typically, known for high definition x-ray imaging with 16 colors processing tools. The advanced imaging capability of our 5030 A raises the standard for small-sized x ray screening systems and delivers an array of features that give operators the information they need to clear suspicious items quickly and more effectively. If prefer the basic features, and the budget is an issue, it is your best choice.

INTERNATIONAL COMPONENTS

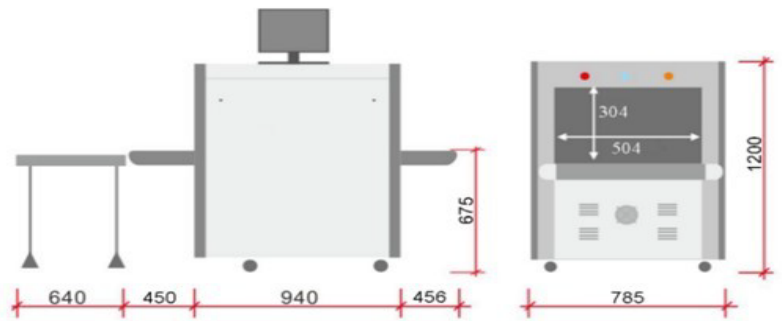
For all our x ray baggage scanners
> UK Sens - Tech Detector Boards
> Japan HAMAMATSU Detector Head
> USA SEAPARKS Roller
> SEAGATE Hard Drive Disk

SMART SOFTWARE SYSTEM

R&D software supports a reliable platform for the future upgrades & system management, including different access modes with hierarchial permissions, customized density & size alert, imaging fast query, USB backup, remark and display ratio, freely switch the multiple languages

■ General Specification

- Tunnel Size : 504 x 304 mm
- Conveyor Speed : 0.22m/s
- Conveyor Load : 100 kg
- Penetration : 8-10 mm steel
- Resolution : 38 AWG
- Film safety : Guarantee ISO 1600 Film
- X-ray leakage : <0.1mR/h (1.0 μ Sv/h)



Unit: mm

■ Installation Data

- Operation / Storage Temperature: 0°C~ 45°C/
-20°C~+60°C
- Humidity: 20%~98% non-condensing
- Power consumption: 0.8 kw (Max)
- Power supply: 100-240VAC+10%/
-15% selectable 50/60Hz \pm 3 Hz
- Sound supply: <58 Db
- N.W/G.W.: 310kg / 380 kg= 683.4 Ibs/
837.8 Ibs
- Dimensions :3205(L)x1305(W)x1751.5mm(H)
- 72.5" x 30.9" x 47.1"

■ X-Ray Generator and Image Performance

- Anode voltage: 80 kV
- Cooling : Oil Cooling 100%
- Beam direction : 80°
- X-ray converter: L-Shaped Photodiode Array
- Grey Level : 6535
- Image penetration: B/W, color
- Monitor: 21.5" LCD

■ Compliance

- CE compllicant
- Directive 2004/108/EC Electromagnetic
- Directive 2006/42/EC Machinery
- Directive 2006/95/EC Low Voltage
- RoHS: EN62321:2008
- Film Safety: ISO 1600
- Radiation Safety Certificate
- ISO 9001 Quality Management System
- ISO 14001 Envonment Management System
- OHSAS 18001 Occupational Health Management System

■ Standard Features

- Single-energy Imaging (3 color)
- 21.5" LCD Display with Standard PC Keyboard
- View Previous / Next Bag
- Image Archive
- Baggage Counter
- Date/Time, Model Display
- Adjustable Zoom Preview Window
- TIP (Threat Image Project)
- Support Multiple Language
- High Definition Image
- Auto High Density Alarm
- Image Management
- Dynamic Processing
- Green Lead Curtain
- Network Interface and Wireless LAN
- Shutdown with One Key
- Self-diagnose
- 0.7 m Tunnel Extension Table
- Intelligent Roller (Optional)
- Supervisor Double/Single Monitor Platform (Optional)
- UPS (Uninterrupted Power Supply) (Optional)

■ 16 Standard Imaging Processing Tools

- High & Low Gray Enhance
- Log & Exp Trans
- Gaussian Blur
- Sharpen
- Super Enhancement
- High Energy
- Reverse
- Gray
- Plus 6 kinds Pseudo Color Display

SmartGuard[®]

· Smarguard is brand of Polimek ·

CONTACT:  +90 232 328 16 45 (pbx) Fax: +90 232 328 16 74 Sales: +90 530 915 60 00

 sales@polimek.com.tr

 www.polimek.com.tr

 Ataturk Organized Industrial Zone 10024 St. No: 9 Cigli – IZMIR/TURKEY